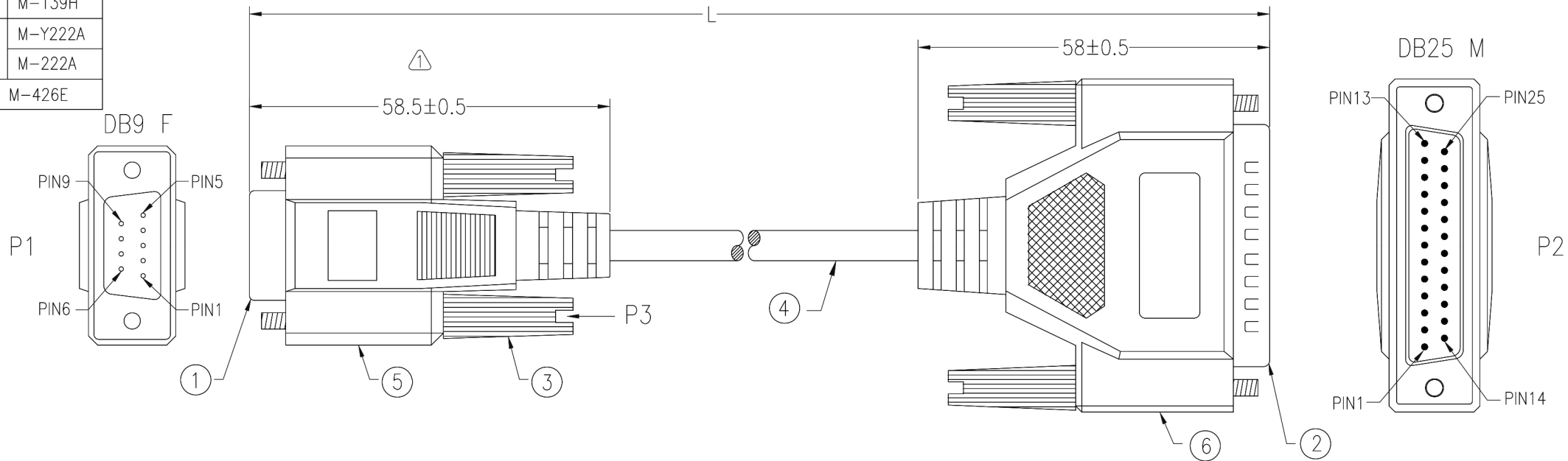



P1:	M-Y139C
	M-139H
P2:	M-Y222A
	M-222A
P3:	M-426E



*NOTE: ALL relevant materials are complied with ROHS directive

1049			
P1		P2	
1	—————	8	BROWN
2	—————	3	RED
3	—————	2	ORANGE
4	—————	20	YELLOW
5	—————	7	GREEN
6	—————	6	BLUE
7	—————	4	PURPLE
8	—————	5	GREY
9	—————	22	BLACK
SHIELD	—————	SHIELD	

6	BLACK PVC TUBE ϕ 3.0*30mm	H7A001-0304K09	1	M304
	ALUMINUM FOIL 33*110mm	A6MA05-0309	1	M309
	MOLDED PE COLOR TRANSPARENT	A5BA02-0280		M280
	MOLDED PVC BEIGE	H1BF01-0304B01		M304
5	BLACK PVC TUBE ϕ 3.0*22mm	H7A001-0304K09	1	M304
	ALUMINUM FOIL 33*65mm	A6MA05-0309	1	M309
	MOLDED PVC BEIGE	H1BF01-0304B01		M304
4	NON-UL 9C 28AWG, ALUM-MYLAR FOIL SHIELDING WITH DRAIN WIRE, OD 5.0mm, JACKET BEIGE, DRAWING No. EMAL2809C-051	H5BL31-0304B01	L-20mm	M304
3	MOLDED THUMBSCREW #4-40, LENGTH 46.5mm, BEIGE	H1RB01-0304B01 A6AA30-0095	4	M95
2	DB25 MALE, GOLD FLASH ON CONTACTS, BLUE INSULATOR	A1AE09-0277U09	1	M277
1	DB9 FEMALE, GOLD FLASH ON CONTACTS, BLUE INSULATOR	A1AA01-0277U09	1	M277
No.	DESCRIPTION		Q'TY	Supplier

APPROVED		 <p>an INFINIT brand</p>	Cable Length Unless Other Spec. Tolerances: 0 ~200mm ±10mm 201~1000mm ±20mm 1001 ~1500mm ±25mm 1501~2100mm ±30mm 2100mm↑ ±40mm
CHECKED	HU		
DRAWING	ZHU		
DATE	05/JULY/19		
Title: DB9 Female to DB25 Male AT Modem Serial Cable		Part No:	43-104-XXX
UNIT:mm		